

# ADA-11/AKM-10

## Digital Door Strike Control/Strike Relay Module

The ADA-11 receiver module is a **new smaller size unit** that has a **switch selectable address and mounts in a snap-in holder**. It is used in applications where secure control of remote loads such as door strikes are required. Up to 16 ADA-11 receivers can be multi-dropped from one card reader. The sender in the card reader encodes the control information into a digital data stream which is decoded by the ADA-11 modules. Each receiver module must recognize its unique address before switching its electrical load. Up to 16 unique addresses are sent to the ADA-11.

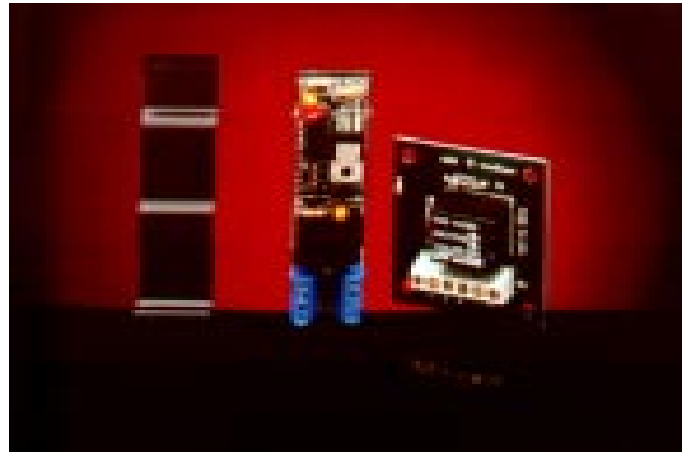
In most access control systems the wiring between the door strike and the card reader or controller is vulnerable to attack. An intruder need only apply a voltage or ground at this point to control the strike. The ADA-11 prevents operation of the door in this fashion, since an encoded digital signal is required to control the strike.

A requirement of UL 294 states that even in the event of a physical attack on the card reader, exposing internal wiring, an intruder cannot control the strike by access to the internal card reader wiring. The ADA-11 can be mounted in a protected area near the strike with only the digital encoded signal going to the strike location. Thus control of the strike is removed from the reader and protected between the access controller and the strike.

The design of the ADA-11 module allows easy retrofit of existing installations. These small units can be mounted in the door frame behind or adjacent to the door strike. The unit address for the receiver is field configurable by use of its DIP switch. The ADA-11 receiver connects directly to the output of most APOLLO card readers.

### Features:

- DIP switch selectable address
- Snap-in holder for simple installation
- Digital secured control from reader or controller to door strike
- Signal is decoded at strike
- Simple installation



- Up to 16 unique addresses are decoded by the ADA-11 receiver
- ADA-11 mounts adjacent to strike in the door frame
- Low cost/Low power/Small size
- Sender is built into card readers
- Sender output communications link has a high noise immunity using a continuous digital data stream
- Sender to receiver can be up to 1000 feet (300 meters)
- Single twisted pair cable, 20-22 AWG
- Operates from 6 - 24 Vdc. Can use the door strike supply
- Receiver input is optically isolated
- Fail safe operation (in absence of valid data, output is forced to OFF)
- ADA-11 is protected against reverse voltage
- Small size: 3.2 x 0.875 x 0.750in (81 x 22 x 19mm)

**Sender** (Built into the card readers)

Output: continuous digital data stream, current loop

Distance to receiver: up to 1000 feet (300m)

Cable: Single twisted pair, 20-22 AWG

**3610 Birch Street**

**Newport Beach, California 92660-2619 USA**

**Phone 949-852-8178 • FAX 949-852-8172**

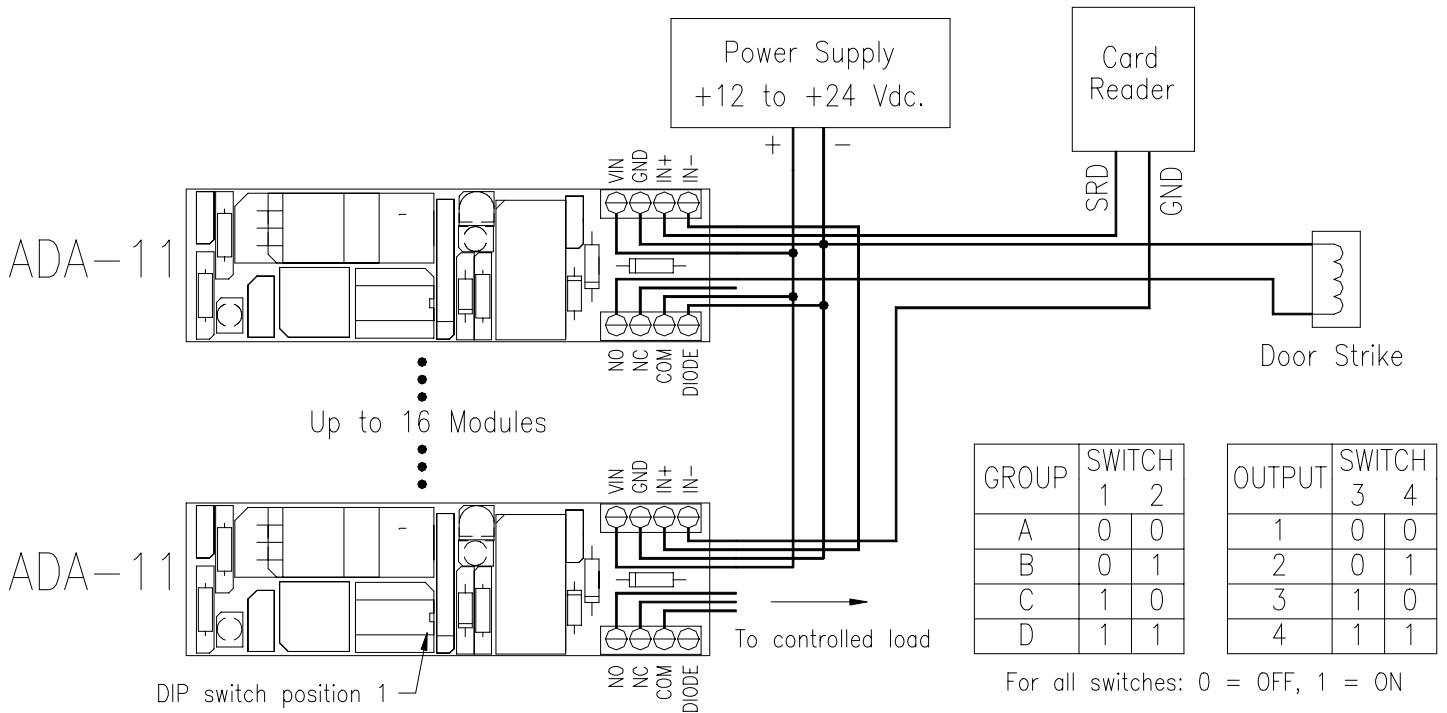
**<http://www.apollo-security.com>**

**E-mail: [apollo@netbox.com](mailto:apollo@netbox.com)**



# ADA-11

## Digital Door Strike Control



### Receiver

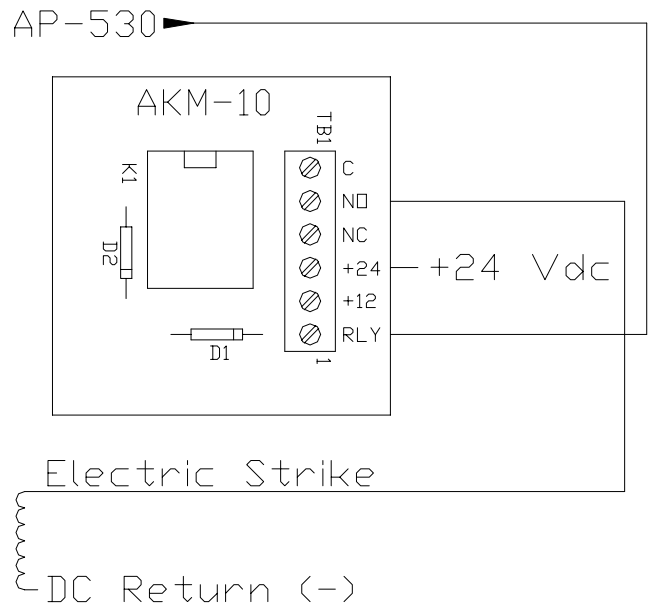
Power: 6 to 24 Vdc 50mA (max)  
 Input: Optically isolated, digital data stream from sender  
 Fail safe: Output is forced to 'OFF' in the absence of valid data

Output switch rating: 2A @ 24 Vdc continuous  
 Load: resistive or inductive. No external diode is required if the load (strike) is located less than 6 in. (15 cm) from the receiver.

## AKM-10

### Strike Relay Module

The AKM-10 is a PCB mounted, 12 or 24 Vdc input rated relay. The AKM-10 is designed specifically for use with the AP-530 stand-alone card reader. Location of the AKM-10 can be up to 50 feet from the AP-530 reader for overhead gates, or near the door strike for secure operations.



### SPECIFICATIONS

Power:	12 or 24 Vdc, 50 mA
Relay:	2 A, 24 Vdc continuous load

**3610 Birch Street**  
**Newport Beach, California 92660-2619 USA**  
**Phone 949-852-8178 • FAX 949-852-8172**  
<http://www.apollo-security.com>  
**E-mail: apollo@netbox.com**

Note: Information contained in this document is subject to change without notice.