

# APACS LITE

## Access & Alarm Management Program

Windows Server OS  
Win XP Pro, VISTA

LAN/WAN Connectivity

Single User or Multiple  
Users Version

ODBC Compliant  
SQL Database, Firebird,  
MS-SQL, ORACLE,  
Interbase

Database Import &  
Export

Database Partitioning

Unlimited Operators

No Max. Limitation On  
Connected Hardware

Events Storage Only  
Limited By Hard Disk

Quick Reports

On-Line Events Display

Global Events To  
Actions Linkages (IV)

Stores User Photo  
Image

Card Format Selection

Multiple Access Level Per  
Cardholder

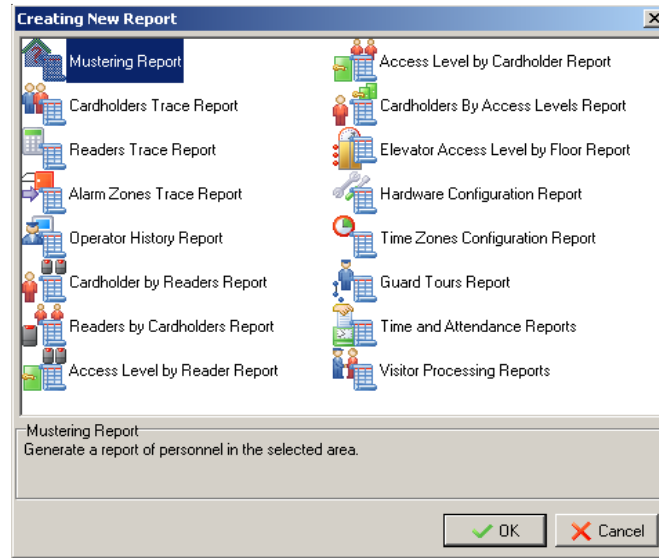
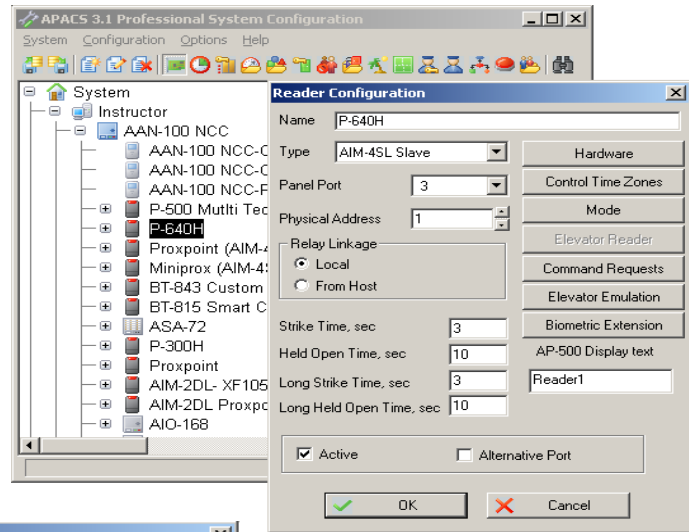
Time Activated Reader  
Mode

Elevator Control  
System

Simplified Time And  
Attendance Reports

Work with Windows  
Active Directory, Single  
Sign-On

The APACS Lite Windows based network alarm/access management system provides an easy and user friendly environment for operating and processing of access and alarm information when used with AAN-32/100 type multiplexers. The APACS Lite includes messages only based on-line events display, basic time and attendance, Elevator control at no extra cost all from one PC. APACS Lite is provided with the Firebird SQL Server as standard.



The APACS LITE program supports configuration of all field devices, access levels and time zones. These parameters are downloaded to the AANs, or the downloadable AIMS over the communication link. Additional user defined database fields can be entered by the user to provide supplemental cardholder information.

The APACS Lite supports on-line logging of access and alarm events when connected to the AAN

controllers. Upon establishment of communications, the controller sends all buffered access and alarm events to the PC. The program stores the events on disk and formats them for later recall. Events can be retrieved by access type, alarm type, card number, cardholder, date/time, reader, department etc.....

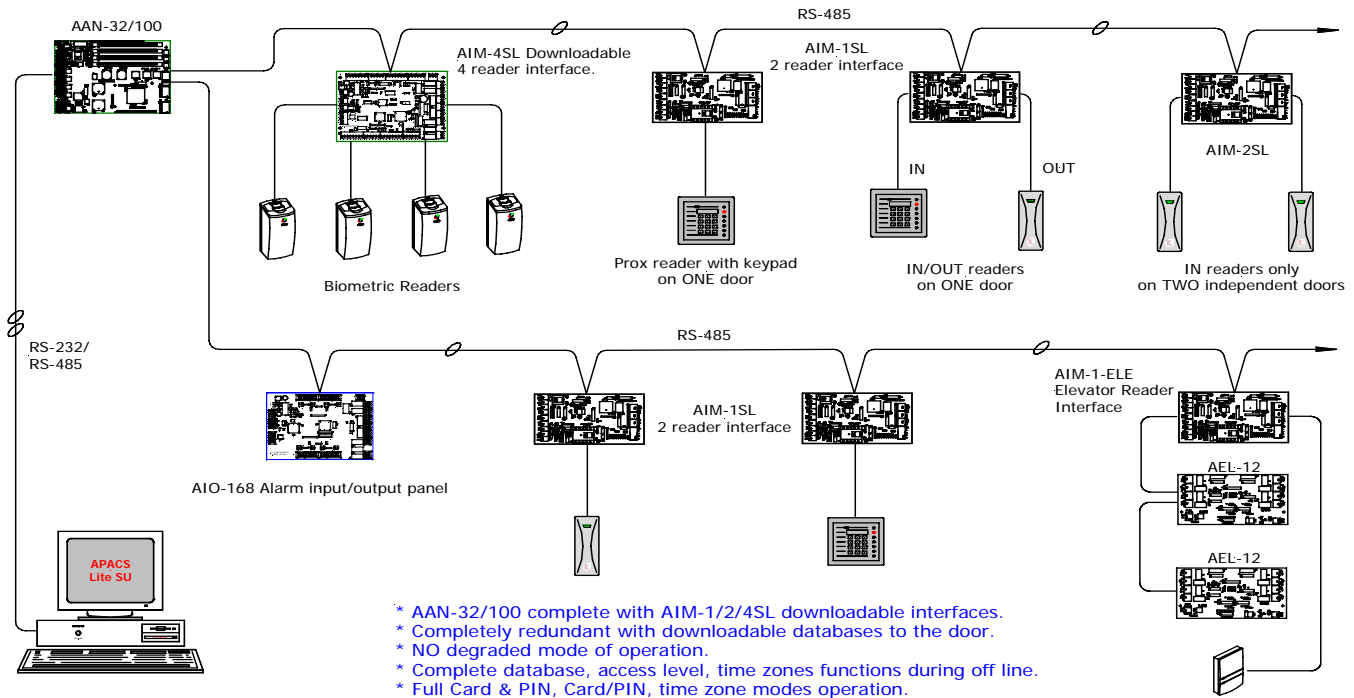
The AAN controller, with the APACS LITE, provides complete flexibility in allowing field configuration of card and database formats. Additional cardholder database like biometric data and signature are captured live with APACS. Cardholders are easily segmented by Groups or by other fields for ease of management and individual Operators are given independent permissions or rights to manage those cardholders assigned to him or her. The APACS Lite SU, single install license with unlimited operators; used only when one PC is required. Order the APACS Lite MU when multiple workstations are required for operations, additional license required for each additional workstation.



## Some Other Standard Features

- ◆ Built-in Biometric enrollment support.
- ◆ Customizable reports.
- ◆ Scheduled reporting.
- ◆ Scheduled or dynamic DB import/export.
- ◆ Automatic DB re-connection upon network restoration.
- ◆ Automatic activation/deactivation of cards after X number of unused days.
- ◆ Signature panel support.
- ◆ Mustering reports.
- ◆ 3rd Party DB interfacing.
- ◆ Redundant server support.
- ◆ Encrypted communications between hosts and controllers.
- ◆ Support AAN-1N/4N Network attached reader controllers.

### AAN System with downloadable reader interfaces



- \* AAN-32/100 complete with AIM-1/2/4SL downloadable interfaces.
- \* Completely redundant with downloadable databases to the door.
- \* NO degraded mode of operation.
- \* Complete database, access level, time zones functions during off line.
- \* Full Card & PIN, Card/PIN, time zone modes operation.
- \* Local events storage at each door.
- \* Supports multiple card formats.
- \* Hybrid system with finger print identification and card readers.
- \* Complete elevator and alarm monitoring support.



### Ordering Information

Part # 450-550  
APACS Lite SU, Single user with Firebird SQL Server.

Part # 450-555  
APACS Lite MU, Multi-User with Firebird SQL

Part # 450-556  
Additional Workstation License for APACS Lite MU

## Engineered Security Solutions

*For more information on this product, please contact your local vendor or Apollo office for a presentation.*

Presented By

